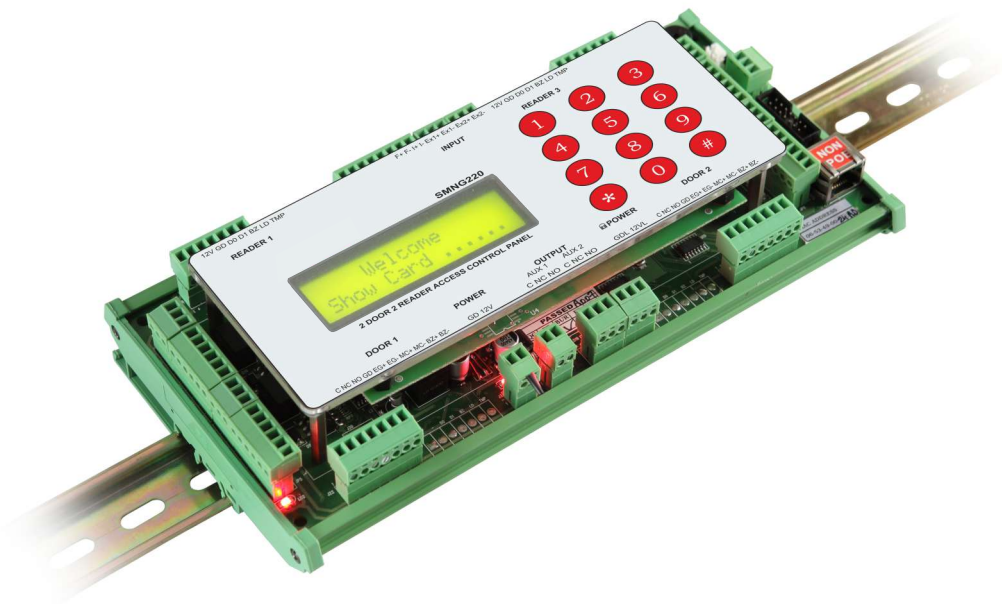


# smartXS NG



## DESCRIPTION:

The versatile Interface makes the device technically very strong & user friendly. It gives tremendous freedom to use the infrastructure, either existing or planned.

The Device has an inbuilt capability for an online up gradation of the firmware.

Alarm management Software module for security audit or to verify/identify tailgating, made effective by Alert based network protocol implemented in smartXS-NG.

smartXS-NG has inbuilt configurable door interlocking facility so that if one door is open, some or all of the other three will remain closed.

The Logic can be defined by the user on site through the controller Keypad.

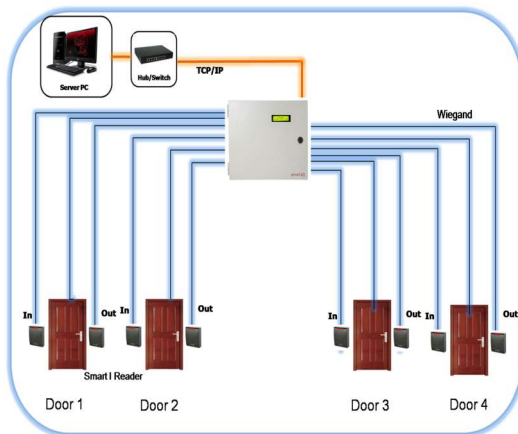
## KEY BENEFITS :

- 32 Bit RISC Arm processor
- Cost effective solution for critical area where, OUT reader is mandatory as it supports IN / OUT both readers.
- Inbuilt configurable door interlocking facility.
- CCTV / IP camera integration with access events for security audit
- DIN RAIL mounting option available.

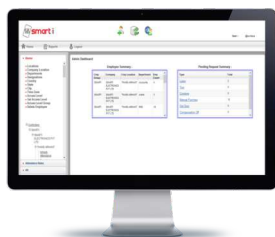
## Technical Specifications

Specifications	SMNG240	SMNG480
CPU	ARM 32 Bit RISC Processor	
Memory	Up to 8 MB (Flash)	
No of Door/Reader	2/4	4/8
Events/Transactions	60,000	
No. of Users	30,000	
Reader Interface	Wiegand (Up to 34 bit)	
Input	6 inputs (2-D, 2-E, 1-F & 1-Intr.)	12 inputs (4-D, 4-E, 1-F & 1-Intr.)
Output	4 outputs (2-DOTL, 2-Lock)	8 outputs (4-DOTL, 4-Lock)
Communications Port	TCP/IP, RS485	
LCD	16X2 LCD Display	
Keypad	4X3 Key with soft keypad	
Power Supply	12 V DC / 5A	
Enclosure	Industry Standard Metal Enclosure	
Mounting	Din Rail or Wall Mounting (With Metal Enclosure)	
Dimension(LxHxW)	NA	
Tailgati	NAng Device	

## Connection Diagram



## Software:



Web-Based Access Management Software



# smartXS NG *plus*



## DESCRIPTION:

The versatile Interface makes the device technically very strong & user friendly. It gives tremendous freedom to use the infrastructure, either existing or planned.

The Device has an inbuilt capability for an online up gradation of the firmware.

Alarm management Software module for security audit or to verify/identify tailgating, made effective by Alert based network protocol implemented in smartXS-NG.

smartXS-NG has inbuilt configurable door interlocking facility so that if one door is open, some or all of the other three will remain closed.

The Logic can be defined by the user on site through the controller Keypad.

## KEY BENEFITS :

- 32 Bit RISC Arm processor
- Cost effective solution for critical area where, OUT reader is mandatory as it supports IN / OUT both readers.
- Inbuilt configurable door interlocking facility.
- CCTV / IP camera integration with access events for security audit
- DIN RAIL mounting option available.

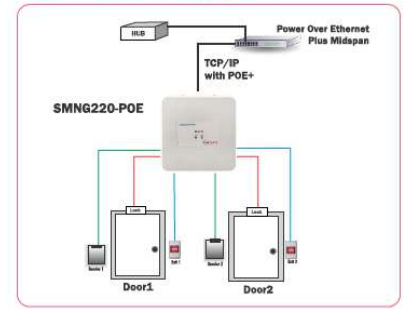
## smartXS NG plus (POE)



### Major Features:

- Attractive, compact form factor designed for easy installations in indoor deployments
- Cost Saving on cabling: With Power Over the Ethernet, and device mounting above the door, installation cost automatically reduce.
- Powers Panel, 2 Readers, 2 Lock via Single
- CAT5e/6 cable
- Compatible with all Standard Wiegand Readers
- Supporting POE/NON POE requirements
- Fire & Intrusion Panel Integration

### Connection Diagram:



## Technical Specifications

Specifications	SMNG220-POE	SMNG220	SMNG440
CPU		ARM 32 Bit RISC Processor	
Memory		4GB SD and Up to 8 MB (Flash)	
No of Door/Reader		2/2	4/4
Events/Transactions	2,50,000	4,00,000	
No. of Users		1,00,000	
Reader Interface		Wiegand (Up to 34 bit)	
Input	6 inputs (2 - D, 2- E, 1- F & 1-Intr.)	8 inputs (2-D, 2-E, 1-F & 1-Intr., 2-Ext.)	12 inputs (4-D, 4-E, 1-F & 1-Intr., 2-Ext.)
Output	4 outputs (2 - DOTL, 2 - Lock)	6 outputs (2-DOTL, 2-Lock, 2-Auxilliary)	12 outputs (4-DOTL, 4-Lock, 4-Auxilliary)
Communications Port	TCP/IP	TCP/IP, RS485	
LCD		16X2 LCD Display	
Keypad		4X3 Key with soft keypad	
Power Supply	POE+ 802.3at midspan (30W/port) or 12V DC/5A via Adapter if POE not available	12 V DC / 5A	
Enclosure		Industry Standard Metal Enclosure	
Mounting	Wall Mounting	Din Rail/Wall Mounting (With Metal Enclosure)	
Dimension(LxHxW)	180mm x 185mm x 55mm	NA	
Tailgating Device	STG110	NA	



### Enviro technologies

Units No 254, Second Floor, Building No D-7,  
Bhumi World, Pimplas Village, Opp Tata Housing,  
Bhiwandi, Thane-421302  
Telephone: + 91-8767-247-247  
Email: presales@enviroworld.in



We proudly champion



Note: All specifications are subject to change without notice due to continuous improvements.